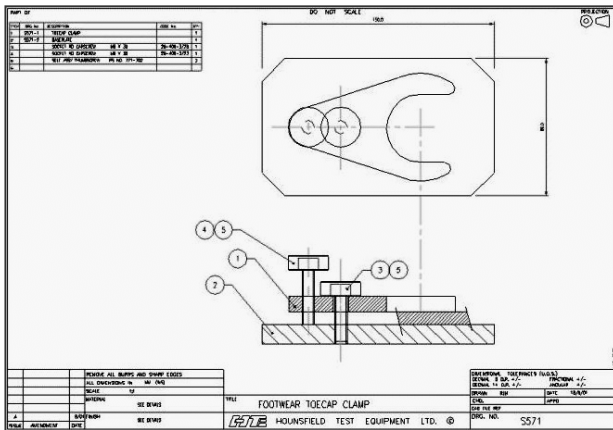
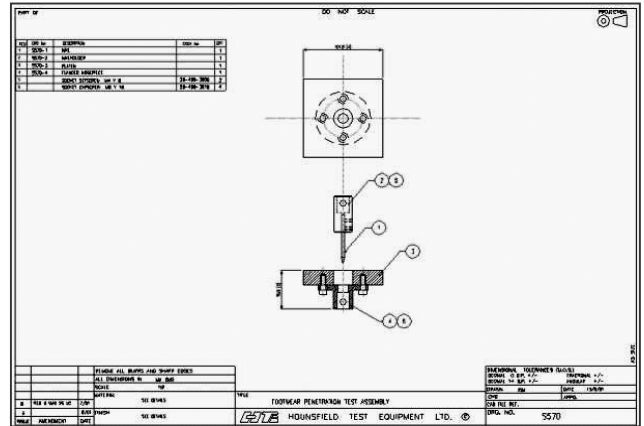


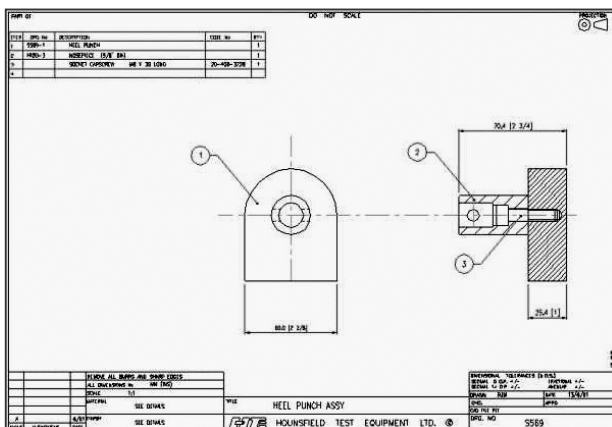
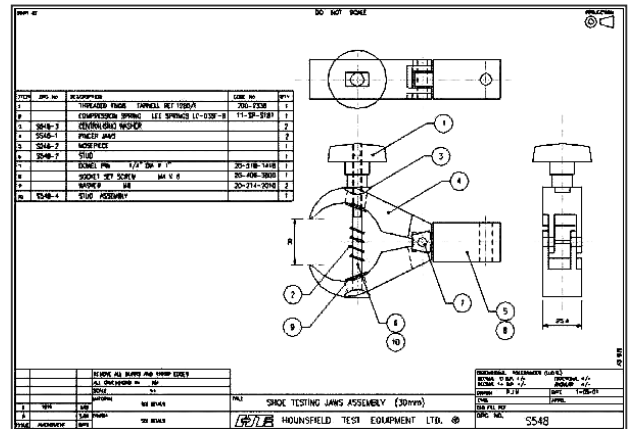
Examples of Tinius Olsen Shoe Testing Attachment EN344

S570 Puncture Test Attachment
“Footwear penetration Test Assembly”



S571 Compression Test Attachment
“Footwear toecap clamp”
Requires top compression platen

S548 Pincer Grip Attachment for soles
“Shoe Testing Jaws assembly”
Requires wide opening HT40 for bottom grip



S569 Compression Test Attachment
“Heel Punch Assembly”