

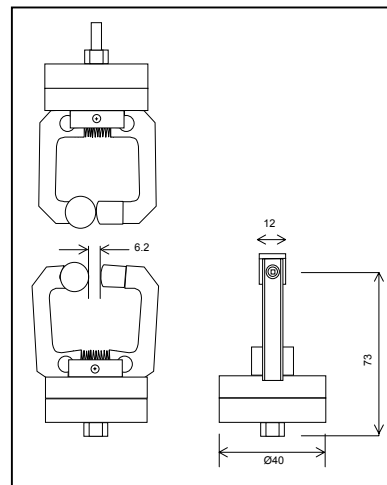
Application Note

TENSILE, COMPRESSION, IMPACT, MELT FLOW, BRINELL, SHEAR, STRETCH RECOVERY, PUNCTURE, HEAT DISTORTION (VICAT), BEND/FLEXURE, SEAM STRENGTH, TORSION

Examples of Tinius Olsen lightweight pneumatic 'HT58' grip *Primarily used for lightweight thread and yarn testing applications for Quality Control.*



- Specifically developed for easy and repeatable thread/yarn testing (etc)
- High gripping pressure. Eliminates slip.
- Unique gripping face design prevents premature specimen breaks in the jaws.
- Simple & accurate setting for repeatable gauge length choice.
- Quick and easy loading, for continuous commercial testing.
- Suitable for all tensile tests.
- Designed for use with 1kg (10N) load cell. Calibrated for use between 10gr - 1000gr.
- Other uses possible, ask for details.



Gripping Pressure: 150N (15kg f)
Required air pressure: 5-7bar (g)*
Gripping Faces: Line Contact

**Clean, dry, constant regulated supply required*

Photos show HT58 mounted on H5KS model. HT58 can be used on all other models also.